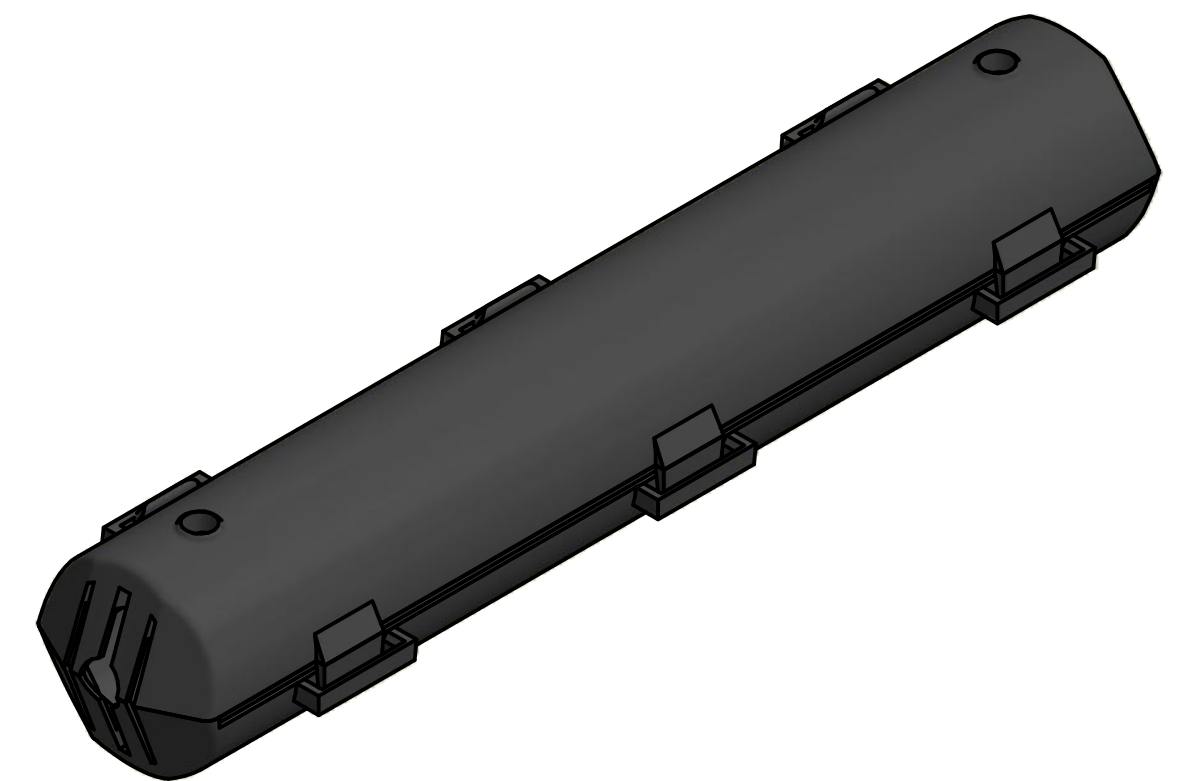
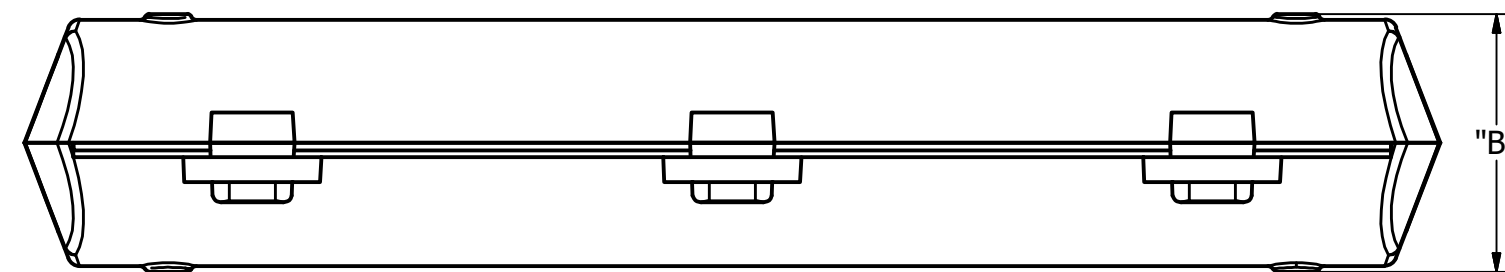
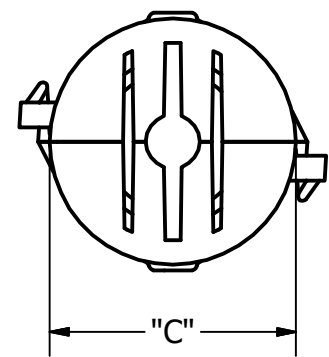
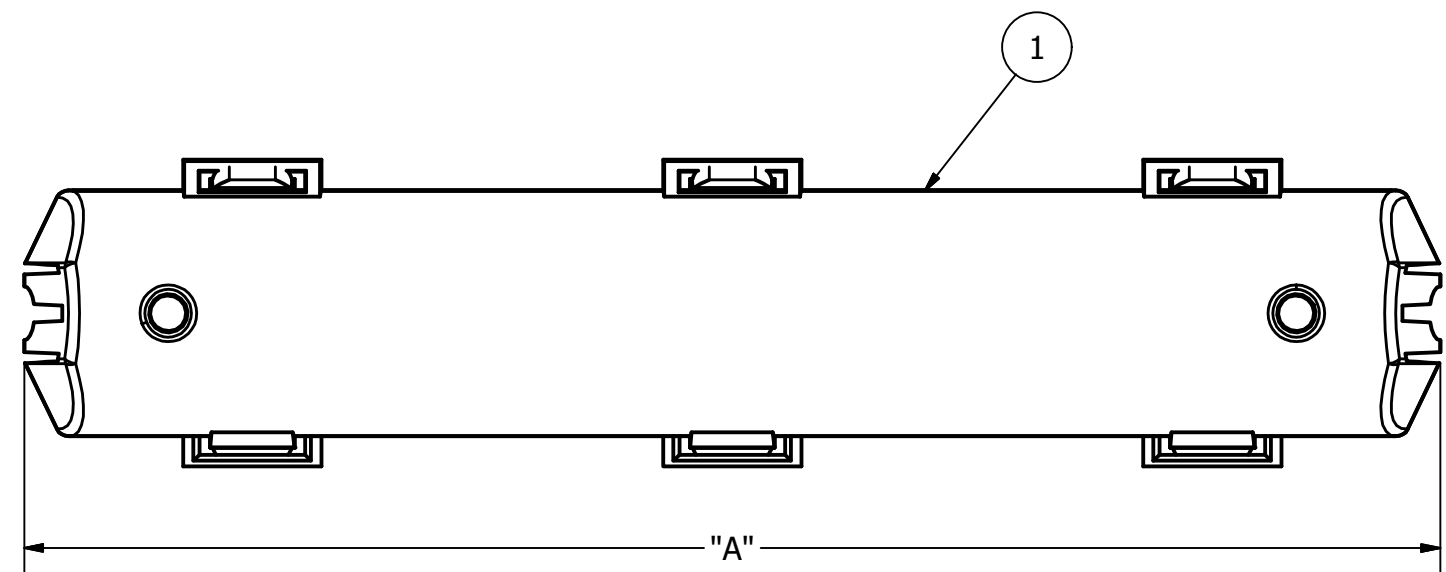



CATALOG NO.	DESCRIPTION	DIM "A"	DIM "B"	DIM "C"	WEIGHT	STANDARD PACK
SEC 4	FOR USE ON ANY 5/8" OD SPLICE UPTO 2" LONG	4.6 [116.8]	1.15 [29.2]	1.02 [25.9]	0.040 [0.02]	100
SEC 6	FOR USE ON ANY 0.840" OD SPLICE UPTO 2" LONG	7.4 [188]	1.34 [34]	1.28 [32.5]	0.060 [0.03]	100

ITEM	DESCRIPTION	MATERIAL
1	CONNECTOR COVER	BLACK POLYETHYLENE



NOTES:

- ALL DIMENSIONS FOR REFERENCE ONLY. DISTANCE IN. [MM], FORCE LBS. [kN], TORQUE IN. LBS. [N.m], & WEIGHT LBS. [KG].
- RATINGS:
 - UV RESISTANT
- CERTIFICATIONS, SPECIFICATIONS, & STANDARDS:
 - NA
- SUFFIXES & VARIANT CONFIGURATION:
 - NA

79093	07/03/19	HD	RG	HPS.	 HUBBELL® POWER SYSTEMS <small>POWER SYSTEMS, INC.</small>			
EC #	DATE	CHG BY	RESP ENG					
DESC OF DWG: INITIAL RELEASE NEW CC TEMPLATE				CONFIDENTIAL: THIS DRAWING AND ITS CONTENTS ARE CONFIDENTIAL AND THE EXCLUSIVE PROPERTY OF HUBBELL POWER SYSTEMS. NO PUBLICATION, DISTRIBUTION OR COPIES MAY BE MADE WITHOUT THE WRITTEN CONSENT OF HUBBELL POWER SYSTEMS. HUBBELL POWER SYSTEMS UNPUBLISHED ALL RIGHTS RESERVED UNDER THE COPYRIGHT LAWS	TITLE SEC CONNECTOR COVER			
REASON (S) FOR CHANGE: DISPOSITION OF MAT'L:					<table border="1"> <tr> <td>SIZE C</td> <td>DWG NO. CC-26126</td> <td>CAT / PART / ASSY NO. SEE CHART</td> <td>REV 00</td> </tr> </table>	SIZE C	DWG NO. CC-26126	CAT / PART / ASSY NO. SEE CHART
SIZE C	DWG NO. CC-26126	CAT / PART / ASSY NO. SEE CHART	REV 00					
		DO NOT SCALE THIS DRAWING	DRN BY SUR	DATE 04/01/2019	SHEET 1 OF 1			